



ANSI B73.1 M (ASA 150)



ISO 2858 / 5199

PERFORMANCE IS EVERYTHING

Investa Pumps Pvt. Ltd was established in the year 1996, since then it has been producing **ANSI STD CHEMICAL PROCESS PUMPS**, catering to a wide spectrum of chemical industries. With the setup of new manufacturing facility in Gujarat, Investa pumps now produces an entire range of **ANSI series & ISO series Pumps** in Semi-open & Closed Impeller Constructions, having almost **80 Models** to offer in various Materials of Construction. With the dream & vision of **Mr. K.N. SHAH (FOUNDER - ANTICO GROUP)**, the company was started by **Mr. D.N. SHAH** to cater to some of the finest process engineering requirements.



TYPE OF PUMPS:

(i) ANSI B 73.1 M (ASA 150) -

Semi-open type Impeller

RANGE OF COVERAGE

Max Capacity = 1000 m³/hr

Max Head = 150mts

Temperature: -210°C to 260°C

Working Pressure: 2550 kPa



(ii) ISO 2858 / 5199 -

Closed type Impeller

RANGE OF COVERAGE

Max Capacity = 1000m³/hr

Max Head = 150mts

Temperature: -210°C to 260°C

Working Pressure: 2550 kPa

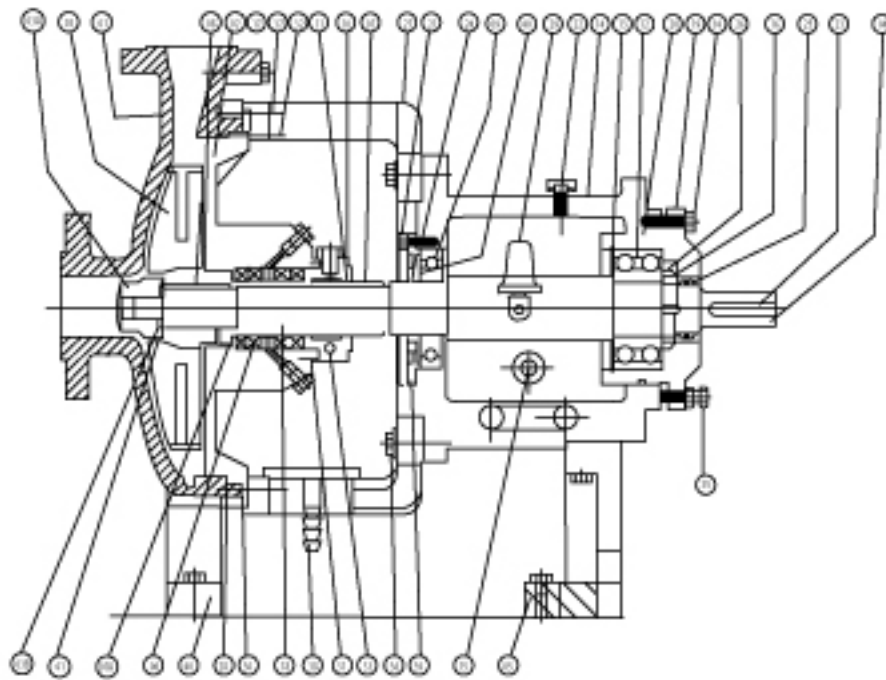


(ii) Self Priming Pumps -

Vertical In - Line



SECTIONAL VIEW



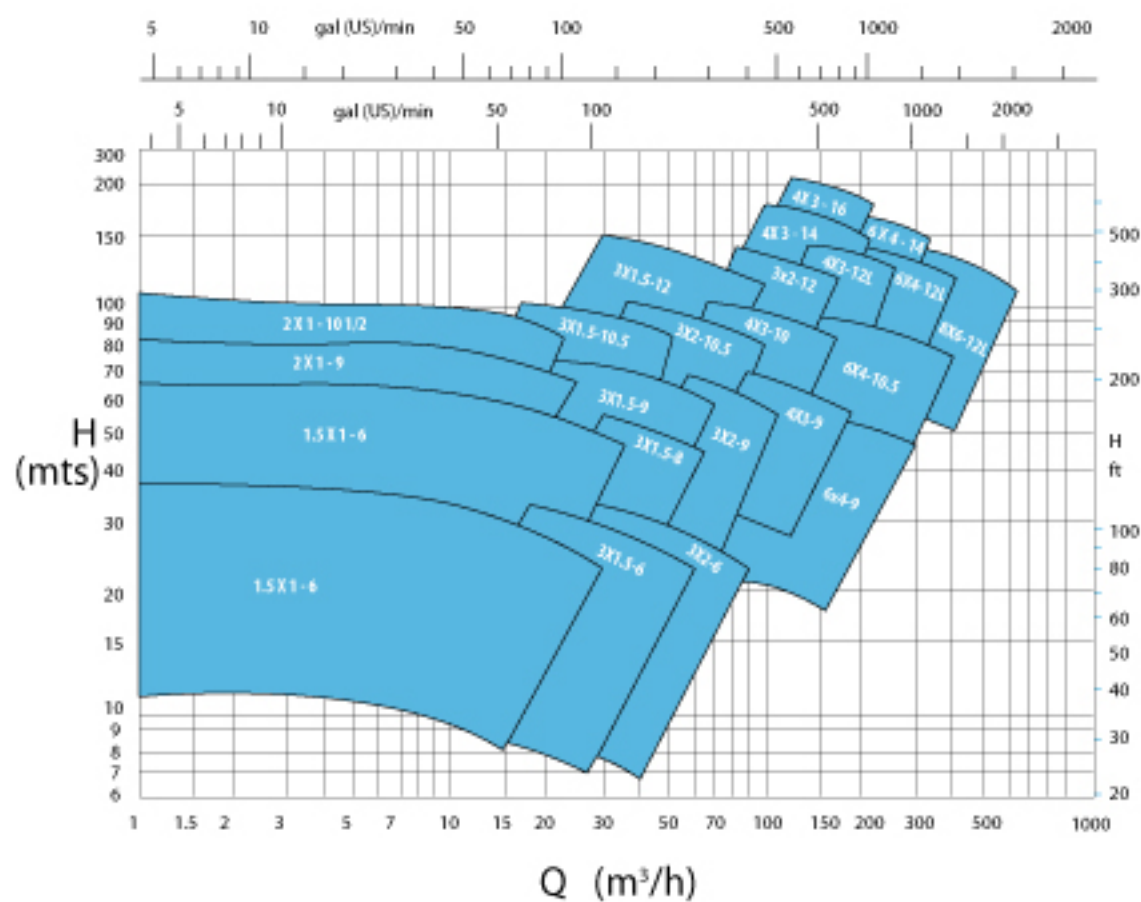
Part No.	Description	STANDARD MATERIAL						
		CS	CF8M	CF3M	CD4MCu	CN7M	HC	HB
01	Casing	CS	CF8M	CF3M	CD4MCu	CN7M	HC	HB
02	Stuffing Box Cover / Back Plate	CS	CF8M	CF3M	CD4MCu	CN7M	HC	HB
03	Impeller	CS	CF8M	CF3M	CD4MCu	CN7M	HC	HB
03A	Impeller Nut	CS	CF8M	CF3M	CD4MCu	CN7M	HC	HB
03B	Nut Gasket				PTFE			
04	Shaft	EN-8			S.S. 316			
05	Support Foot				C.I.			
* 06	Stuffing Box Packing				TIWA / GRAFOIL / PTFE			
* 07	Shaft Sleeve	SS410	CF8M	CF3M	CD4MCu	CN7M	HC	HB
* 07A	Sleeve Gasket				PTFE			
* 08	Impeller Key				S.S. 316			
* 09	Bearing Inboard				Steel			
10	Gland Pusher	CS	CF8M	CF3M	CD4MCu	CN7M	HC	HB
* 11	Gland Pusher Seal Ring				PTFE			
* 12	Bearing Outboard				Steel			
* 13	Retaining Ring / Circlip				Steel			
14	Bearing Frame				C.I.			
15	Bearing Oil Drain Plug				Steel			
16	Bearing Lock Nut				Steel			
* 17	Impeller Seal Ring				PTFE			
* 18	Lantern Ring				Glass Filled PTFE			
19	Bearing Cover Out board				C.I.			
* 20	O'-Ring				Neoprene			
21	Deflector				S.S. 304			
22	Oil Breather				Steel			
23	Key-Coupling Side				S.S. 316			
* 24	Oilseal Inboard				Buna Rubber			
* 25	Oilseal Outboard				Buna Rubber			
26	Bearing Lock Washer				Steel			
* 27	Adaptor				C.I.			
* 28	Gasket Casing to St.Box Cover				PTFE			
29	Constant Level Oiler				Polycarbonate / Aluminium			
30	Stud/Nut-Casing				Steel			
31	Bolt-SBCvr to Gland				Steel			
32	Stud/Nut-SBCvr to Bearing Frame				Steel			
33	Stud/Nut-gland				Steel			
34	Bolt-Brg Cover to Brg Frame				Steel			
35	Bolts/jam Nut-Impeller Adj.				Steel			
* 36	Bolts - adpt to brg frame				Steel			
* 37	Jack Bolt				Steel			
38	Drip Tray				S.S. 304			
* 39	Bearing Cover Inboard				C.I.			
* 40	Casing Leg				C.I.			
* 41	Impeller Nut Lock Washer							

* Parts normally stocked by customers for emergency repairs. * Only in series - MD

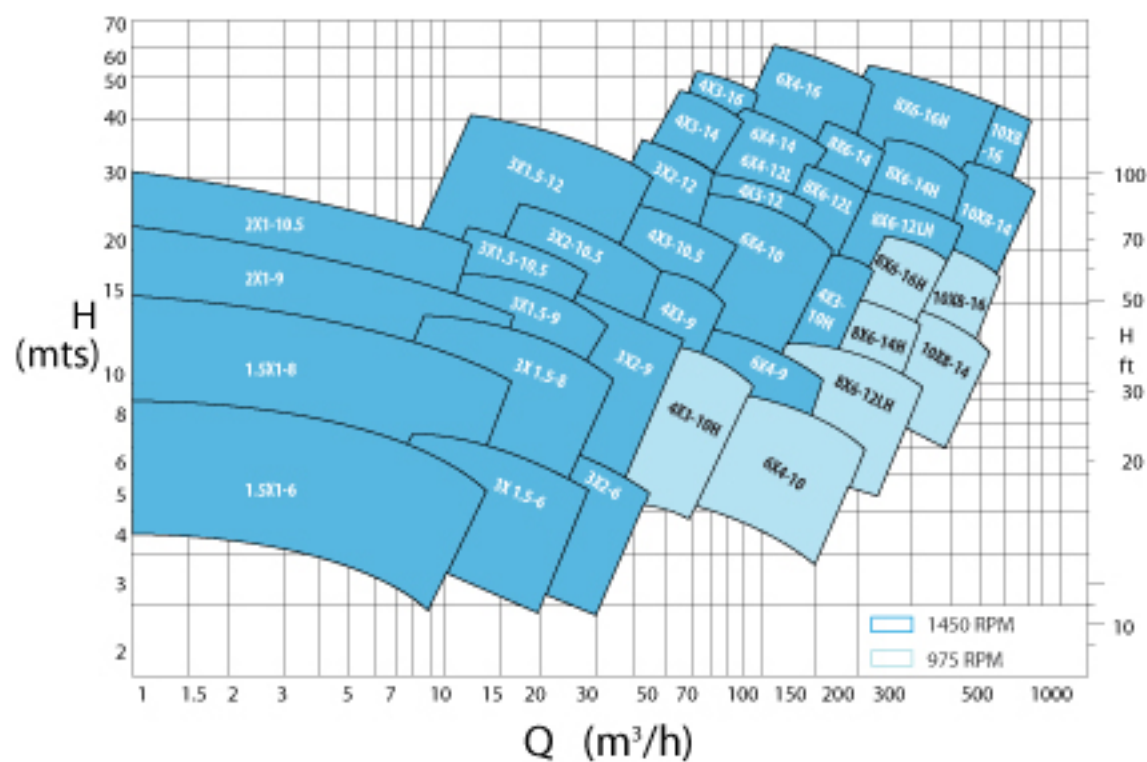
■ 4 nos required when pump is supplied with mechanical seal.

HYDRAULIC COVERAGE

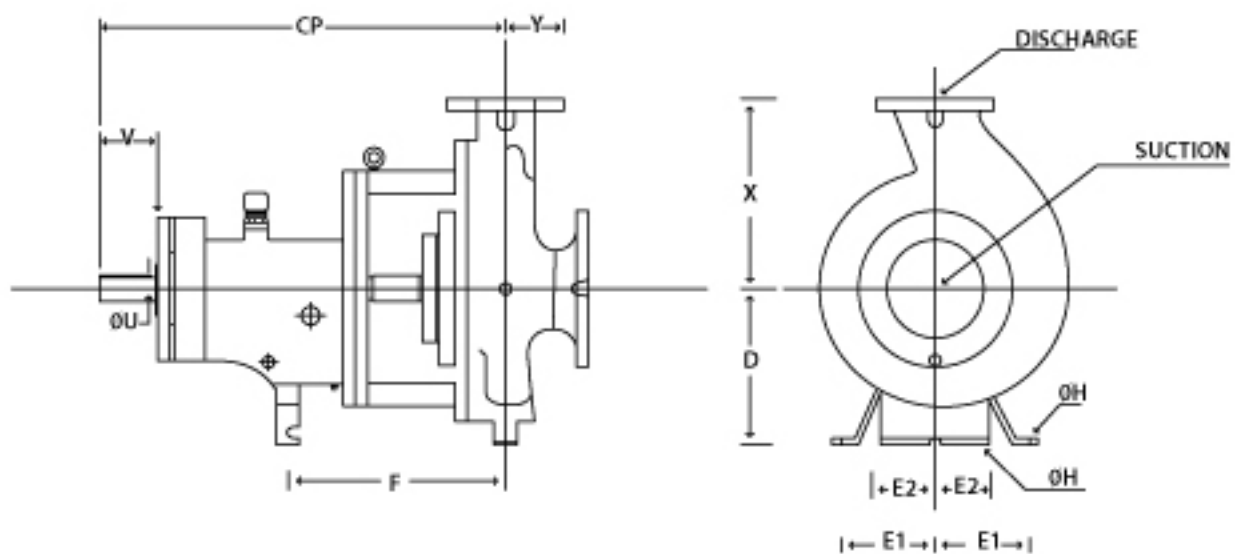
2900 RPM



1450 RPM

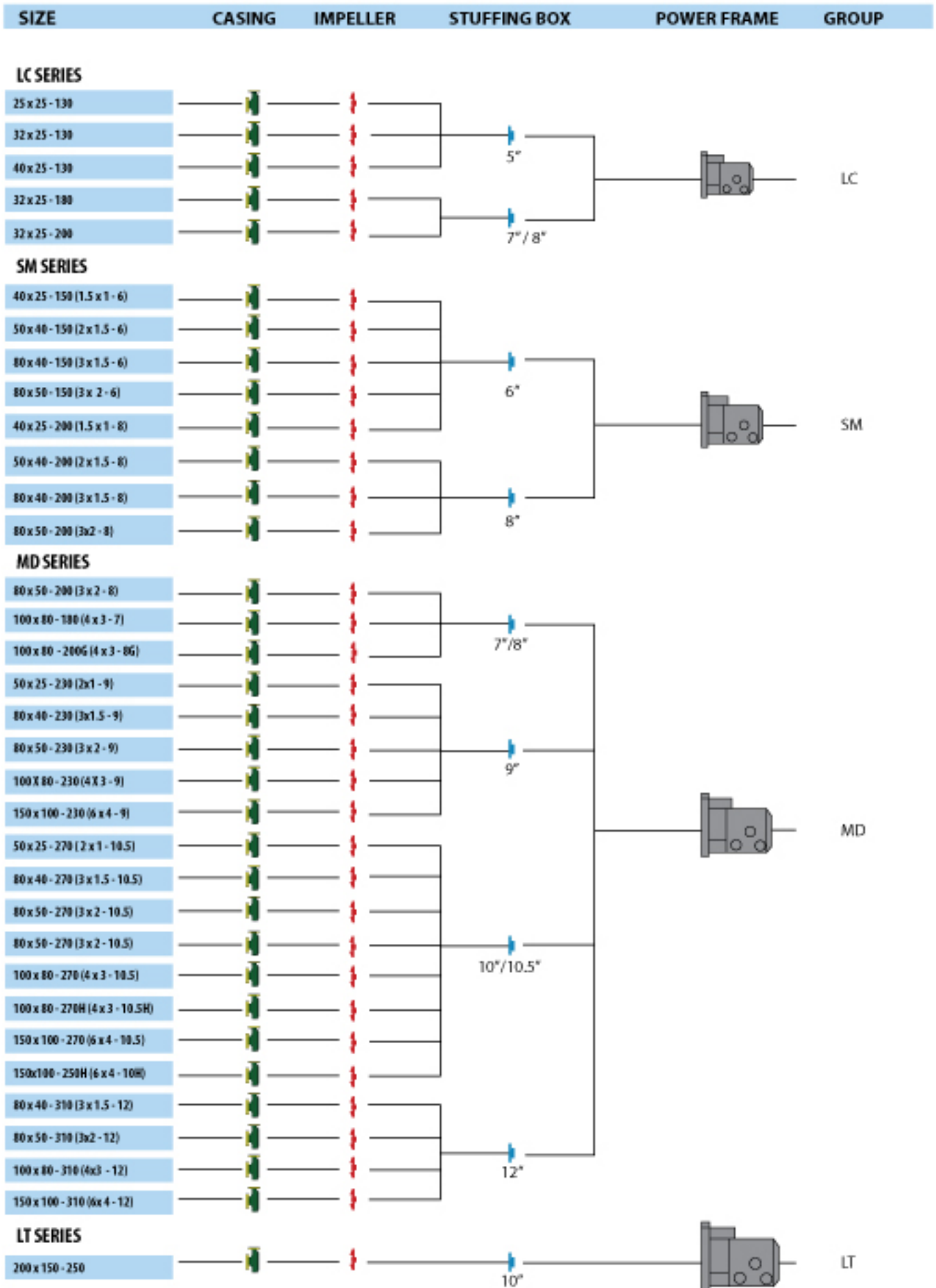


DIMENSIONS

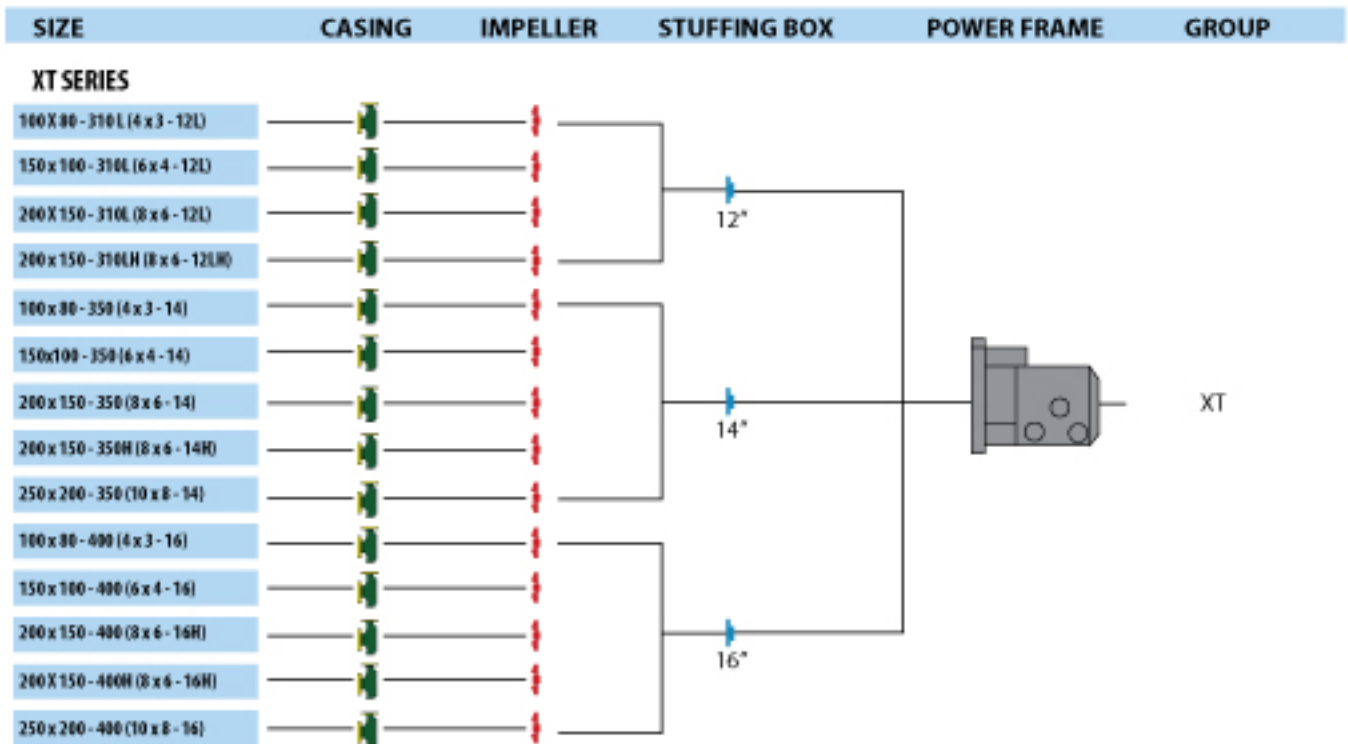


	Models	D	X	Y	CP	U	V	PUMPFEEET				
								F	E1	E2	H	
SCP - LC	40X25 - 130	132	145	75	330	22	50	180	---	77.5	M10	
	32X25 - 130	100	125		190							
	25X25 - 130		145									
	32X25 - 180	132	165		335							
	32X25 - 200											
SCP - SM	40X25 - 150 (1 1/2X1 - 6)	132	165	100	345	22	50	185	80	---	M12	
	80X40 - 150 (3X1 1/2 - 6)											
	80X50 - 150 (3X2 - 6)											
	40X25 - 200 (1 1/2X1 - 8)											
	40X25 - 200 (3X1 1/2 - 8)											
SCP - MD	50X25 - 230 (2X1 - 9)	210	215	100	500	28	67	320	125	92	M12	
	80X40 - 230 (3X1 1/2 - 9)		240									
	80X40 - 230 (3X2 - 9)		280									
	100X80 - 230 (4X3 - 9)											
	150X100 - 230 (6X4 - 9)	255	315									
	100X80 - 270 (4X3 - 10H)	255	315									
	150X100 - 250 (6X4 - 10)	255	345									
	50X25 - 270 (2X1 - 10 1/2)	210	215									
	80X40 - 270 (3X1 1/2 - 10 1/2)		240									
	80X50 - 270 (3X2 - 10 1/2)		280									
	100X80 - 270 (4X3 - 10 1/2)		315									
	150X100 - 270 (6X4 - 10 1/2)		265									
	80X40 - 310 (3X1 1/2 - 12)	255	290									
	80X50 - 310 (3X2 - 12)		315									
	100X80 - 310 (4x3 - 12)		345									
150X100 - 310 (6x4 - 12)												
SCP - XT	100X80 - 310 (4x3 - 12L)	280	315	150	700	60	110	475	205	115	M20	
	150X100 - 310 (6x4 - 12L)	315	345									
	200X150 - 310 (8X6 - 12L)		370									
	200X150 - 310 (8X6 - 12LH)		405									
	100X80 - 350 (4X3 - 14)	280	345									
	150X100 - 350 (6X4 - 14)		370									
	200X150 - 350 (8X6 - 14)		405									
	200X150 - 350 (8X6 - 14H)	370	460									
	250X200 - 350 (10X8 - 14)		315									405
	250X200 - 350 (10X8 - 14)											460
	150X100 - 400 (6X4 - 16)	370										405
	200X150 - 400 (8X6 - 16)		460									
	200X150 - 400 (8X6 - 16H)		505									
	200X150 - 400 (10X8 - 16)											

MODULAR INTERCHANGEABILITY



MODULAR INTERCHANGEABILITY



STUFFING BOX OPTIONS



Standard Bore :
Designed for packing.
Also accommodates Mechanical Seals.



Big Bore : Enlarged chamber for increased seal life through improved lubrication & cooling.



Taper Bore (Conical Stuffing Box) : Lower Seal face temperatures, self-venting & draining. Solids & Vapours circulated away from seal faces.

	Water Based liquids with flush	Entrained Air or Vapour	Solids 0-10% No Flush	Solids Greater than 10% with flush	Slurries 0-5%	High Boiling point Liquids No flush	Self-Venting & Draining	Seal Face Heat Removal
SB	A	C	C	B	C	C	C	C
BB	A	B	C	A	C	C	B	A
TB	A	A	A	C	A	A	A	A

A - Ideally Suited B- Acceptable C- Not Recommended

DYNAMIC SEALING ARRANGEMENT (EXPELLER DESIGN)



1. For Handling slurries /solids upto 35 - 40%
2. Eliminates use of Slurry Mechanical Seals and also eliminates pumpage contamination and product dilution.

JACKETED CASING & STUFFING BOX.



For Handling Liquids having High Boiling Points & Low Melting Points.

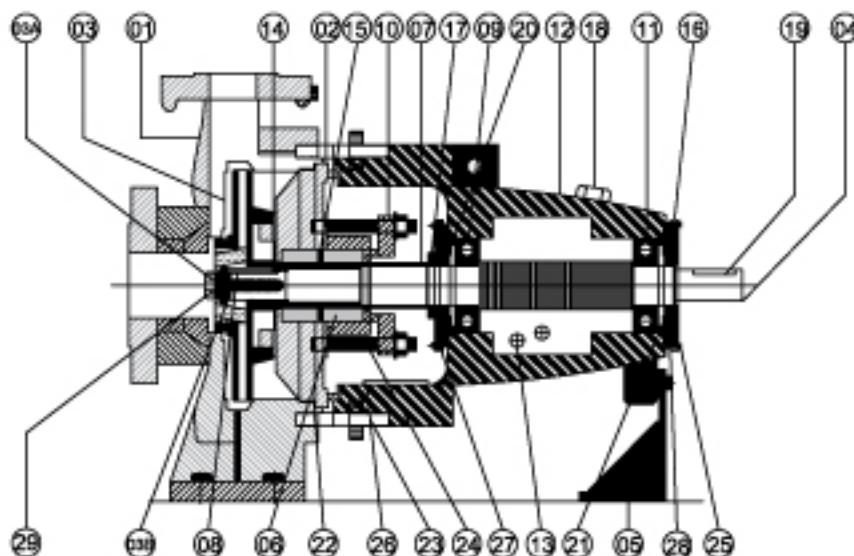
BEARING SEALING OPTIONS



Lybrynth Seals or Bearing Protectors can be provided for higher bearing life. It also provides maximum protection against containments and the corrosive effects of seal leakage or environmental conditions. Any known make can be provided.

CROSS SECTIONAL DRAWING

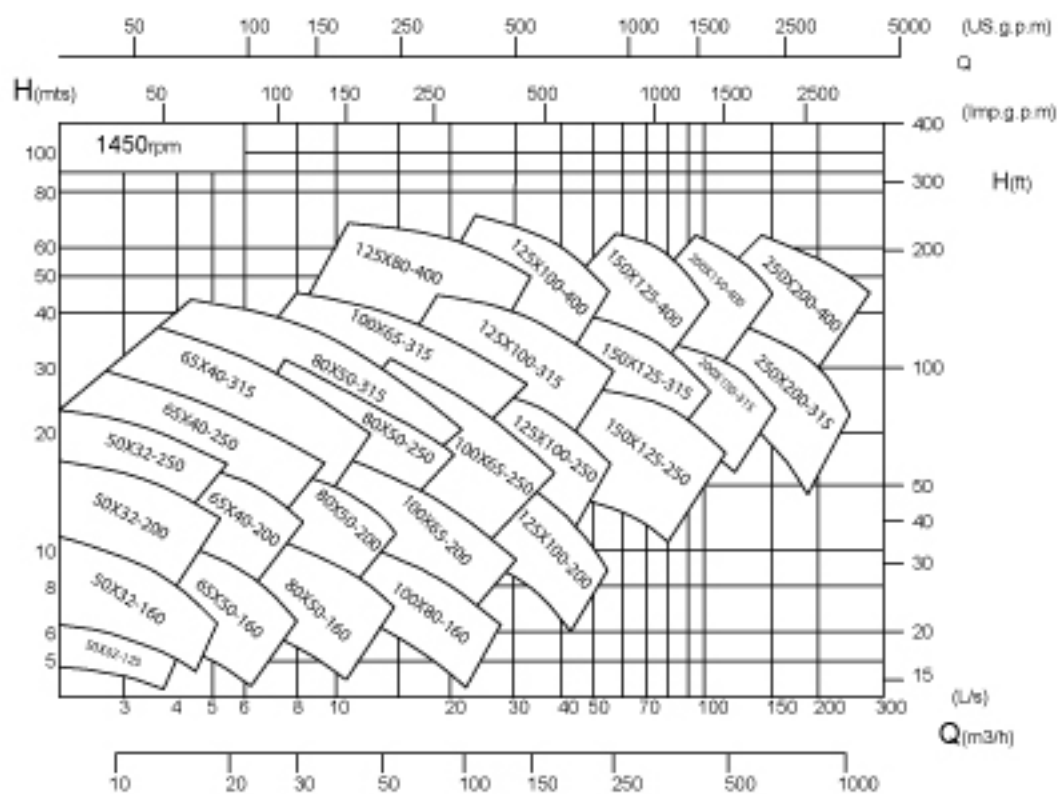
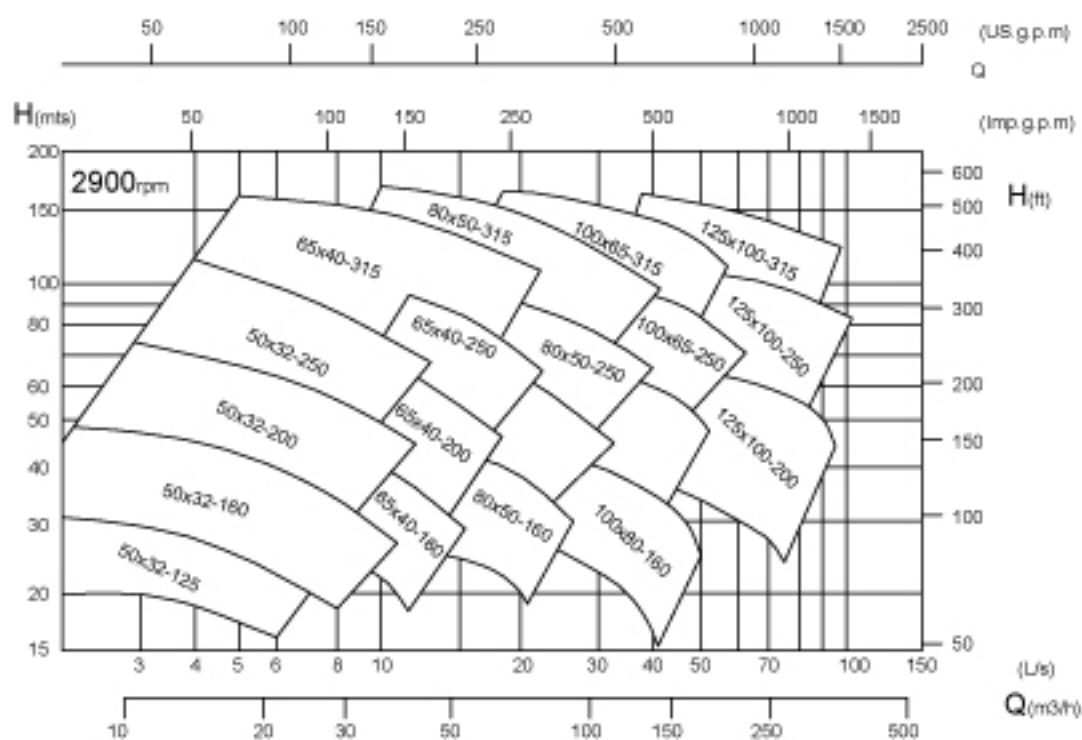
Investa pumps ventures into new CIP series in closed impeller construction with ISO 2858 dimensions.



PART NO	DESCRIPTION	STANDARD MATERIAL						
		CS	CF8M	CF3M	CD4MCu	A-20	HC	HB
01	CASING	CS	CF8M	CF3M	CD4MCu	A-20	HC	HB
02	STUFFING BOX / BACK PLATE	CS	CF8M	CF3M	CD4MCu	A-20	HC	HB
03	IMPELLER	CS	CF8M	CF3M	CD4MCu	A-20	HC	HB
03A	IMPELLER NUT	CS	CF8M	CF3M	CD4MCu	A-20	HC	HB
03B	NUT GASKET	PTFE						
04	SHAFT	EN-19	SS-316					
05	SUPPORT FOOT	SGI						
06	STUFFING BOX PACKING	TWA / GRAFOIL / PTFE						
07	SHAFT SLEEVE	SS-316	CF8M	CF3M	CD4MCu	A-20	HC	HB
08	IMPELLER KEY	SS-316						
09	BEARING IN BOARD	STEEL						
10	GLAND PUSHER	CS	CF8M	CF3M	CD4MCu	A-20	HC	HB
11	BEARING OUT BOARD	STEEL						
12	BEARING FRAME	C.I.						
13	BEARING OIL DRAIN PLUG	STEEL						
14	IMPELLER SEAL RING	PTFE						
15	LANTERN RING	GLASS FILLED PTFE						
16	BEARING COVER OUT BOARD	C.I.						
17	DEFLECTOR	S.S-304						
18	OIL BREATHER	STEEL						
19	KEY COUPLING SIDE	SS-316						
20	OIL SEAL IN BOARD	BUNA RUBBER						
21	OIL SEAL OUT BOARD	BUNA RUBBER						
22	GASKET CASING TO ST. BOX COVER	PTFE						
23	STUD NUT CASING	STEEL						
24	BOLT - SBCvr TO GLAND	STEEL						
25	BOLT-BRG COVER TO BRG FRAME	STEEL						
26	DRIP TRAY	SS-304						
27	BEARING COVER IN BOARD	C.I.						
28	OIL PAPER GASKET	PAPER MATERIAL						
29	O RING FOR IMP BOLT	VITON						

* Note: CAST IRON pumps are available for all Cooling Tower Applications.
Wear rings of different sizes are provided in all ISO 2858 / 5199 models of pumps.
MOC of Wearings:- Brass / CC 50

HYDRAULIC COVERAGE



MODULER INCHANGEBILITY

SIZE	CASING	IMPELLER	STUFFING BOX	POWER FRAME	GROUP
CIP SERIES (0)					
32 x 25 - 130					Series - (0)
32 x 25 - 150					
32 x 25 - 180					
40 x 25 - 200					
CIP - SERIES (I)					
50 x 32 - 125					Series - I
50 x 32 - 160					
65 x 40 - 125					
65 x 40 - 160					
80 x 50 - 160					
50 x 32 - 200					
65 x 40 - 200					
80 x 50 - 200					
CIP - SERIES (II)					
50 x 32 - 250					Series - II
65 x 40 - 250					
80 x 50 - 250					
65 x 40 - 315					
80 x 50 - 315					
100 x 80 - 160					
100 x 65 - 200					
100 x 65 - 250					
CIP - SERIES (III)					
100 x 65 - 315					Series - III
125 x 80 - 400					
125 x 100 - 200					
125 x 100 - 250					
125 x 100 - 315					
125 x 100 - 400					
150 x 125 - 250					
150 x 125 - 315					
150 x 125 - 400					
CIP - SERIES (IV)					
200 x 150 - 315					Series - IV
200 x 150 - 400					
250 x 200 - 315					
250 x 200 - 400					

DIMENSIONS

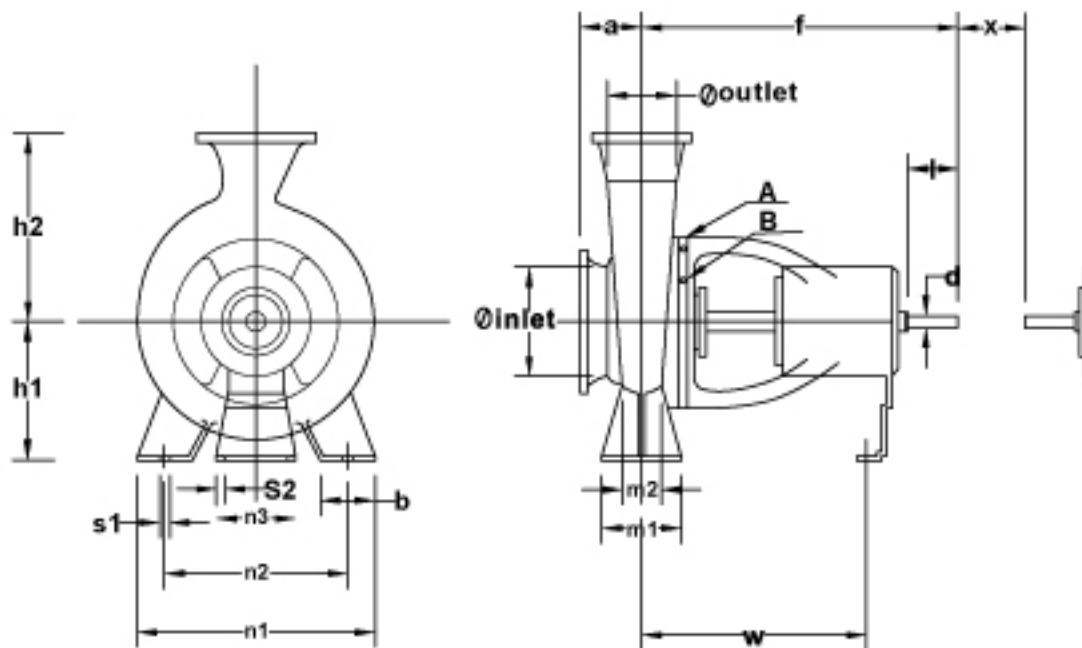


TABLE-Normal duty point and dimension

Size designation			Normal duty point				Dimension in millimeters																													
Ø Inlet mm	Ø Outlet mm	Ø Impeller (nominal) mm	n		N		Pump				Support					Clearance Holes for bolts		d	l	x?																
			Q m³/h	H m	QH m³/h²	H m	a	f	h1	h2	b	m1	m2	n1	n2	n3	w				S1	S2														
50	32	125	6.3	5	12.5	20	80	365	112	148	50	100	70	190	140	100	235	M12	M12	24	50															
50	32	160		8					125	160												188	260	190	320	250	370	32	80	100						
50	32	200		12.5					20	80												100	500	180	225	65	125	95	320	250	370	32	80	100		
50	32	250		20					80	100												500	200	250	65	125	95	345	280	370	32	80	100			
65	50(48)	125	12.5	5	25	20	80	365	112	148	50	100	70	210	160	110	265	M12	M12	24	50															
65	50(48)	160		8					12.5	160												188	265	212	320	250	370	32	80	100						
65	40	200		12.5					20	80												100	500	180	225	65	125	95	320	250	370	32	80	100		
65	40	250		20					80	100												500	200	250	65	125	95	345	280	370	32	80	100			
65	40	315	32	125	125	125	500	200	250	65	125	95	345	280	370	32	80	100																		
80	65(58)	125	25	5	50	20	100	365	132	168	50	100	70	240	190	110	285	M12	M12	24	50															
80	65(58)	160		8					12.5	188												265	212	320	250	370	32	80	100							
80	50	200		12.5					20	80												100	500	180	225	65	125	95	320	250	370	32	80	100		
80	50	250		20					80	100												500	200	250	65	125	95	345	280	370	32	80	100			
80	50	315	32	125	125	125	500	225	280	65	125	95	345	280	370	32	80	100																		
100	80(65)	125	50	5	100	20	100	365	132	168	65	125	95	260	212	110	285	M12	M12	32	80															
100	80(65)	160		8					12.5	188												225	360	280	370	32	80	140								
100	65	200		12.5					20	80												100	500	180	225	65	125	95	320	250	370	32	80	140		
100	65	250		20					80	100												500	200	250	65	125	95	360	280	370	32	80	140			
100	65	315	32	125	125	125	530	225	280	80	160	120	400	315	370	M16		42	110																	
125	80	400	1004	80	50	160	125	530	280	355	80	160	120	435	355	110	370	M16	M12	42	110															
125	100	200		12.5					50	125												500	200	280	360	280	370	32	80	140						
125	100	250		20					80	100												530	225	280	80	160	120	400	315	370	M16		42	110		
125	100	315		32					250	125												140	530	250	315	100	200	150	500	400	370	M20		42	110	
125	100	400	50					280	355	100	200	150	500	400	370	M20		42	110																	
150	125	250	200	20	32	140	140	530	290	355	80	160	120	400	315	110	370	M16	M12	42	110															
150	125	315		32					140	530												280	355	100	200	150	500	400	370	M20		42	110	140		
150	125	400		50																				315	400	100	200	150	500	400	370	M20		42	110	140
200	150	250		20																				530	280	375	100	200	150	500	400	370	M20		42	110
200	150	315	32				160		400	100	200	150			110		M20		110	180																
200	150	400	400	50				670	315	450				550	450	500		M16		48																

MAG DRIVE PUMP SERIES



Investa Pumps now offers the new I-Mag Series of Pumps which are Magnetically Coupled Pumps for Highly Cryogenic & Toxic Liquids. These pumps are available up to 25 HP.

These pumps are available in ISO 2858 /5199 Dimensions

Available in NDFeBd / SmCo Rare earth Magnet.

POWER SAVER OPTIONS | 32x25 - 130 | 32x25 - 150 | 32x25 - 180 | 40x25 - 200



The new Power Saver Options offers pumps running at 1.5 HP/2HP at 2900 rpm for handling clear solvents for the Active Pharma Ingradient (API) Market.

SERVICE COVERAGE

GENERAL APPLICATION INSTALLATION LIST

INDUSTRY	EXAMPLES OF SERVICES		
Chemical	Sulphuric Acid	Brine	Nitric Acid
	Sodium Hydroxide	Chlorosulphonic Acid	Maleic
	Hydrochloric Acid	Ethanol	Citric Acid
	Acetic Acid	Phosphoric Acid	Sodium Acetate
	Ammonium Chloride	Oleum	Vinyl Acetate
Petrochemical	Butadiene	Vinyl Chloride	Formaldehyde
	Benzene	Ethylene Glycol	Phenol
	Toluene	Maleic Anhydride	Styrene
	Ammonia	Acrylonitrile	Ethylene Oxide
	Methanol	Urea	Xylene
Pulp & Paper	Shower Water	Sodium Hypochlorite	Green Liquor
	White Water	Fresh Liquor	Dregs Washer
	Chlorine Dioxide	Black Liquor	White Liquor
Brewing	Sprage Water	Reclaim Water	Alcohol Transfer
	Hot / Cold Wort	MASH	Yeast Brink
	Chilled Water	Blow Black Beer	Sulphuric Acid
	Beer	Spent Grain Liquor	Caustic
Primary Metals	Copper Sulphate	Sodium Sulphate	Copper
	Sodium Cyanide	Ferric Chloride	Ammonium Sulphate
	Chromic Acid	Ferrous Sulphate	Silver Cyanide
General	Condensate	Hot Oil	River Water
	Deionized Water	Wine	Pond Water
	Shower Water	Sugar Cane Juice	Cooling Tower Water

MATERIAL CROSS REFERENCE CHART

Material	ASTM Casting Grade.
Cast Steel	WCB
SS-304	CF8
SS-316	CF8M
SS-316L	CF3M
CD4MCu	CD4MCu
Alloy - 20	CN7M
Carpenter 20	CK-20
Duplex SS	Grade 4A,5A,6A
Hastelloy B	N12MV
Hastelloy C	CW12MW
Nickel (100%)	CZ-100
MONEL	M-35
Ni-Hard	Ni-Hard(Ni-Resistance)



Investa Pumps Pvt. Ltd.

Office: 5, Hind Service Industries, Behind Hotel Parkway,
Shivaji Park, Mumbai 400 028

Phone: 022-2446 0630 / 31, 2447 4434, 3240 3208

Fax: 022-2444 0397

Email: vdshah@investapumps.co.in

Works : 762, Phase-II, G.I.D.C.,
Gundlavi, Dist. Valsad, Gujarat.

Email : engg1@investapumps.co.in

Website : www.investapumps.co.in

Distributor:

--