



Fluorolined
Equipment Pvt.Ltd

™

PLC Series

PVDF Mechanical Seal ISO 2858 Pumps



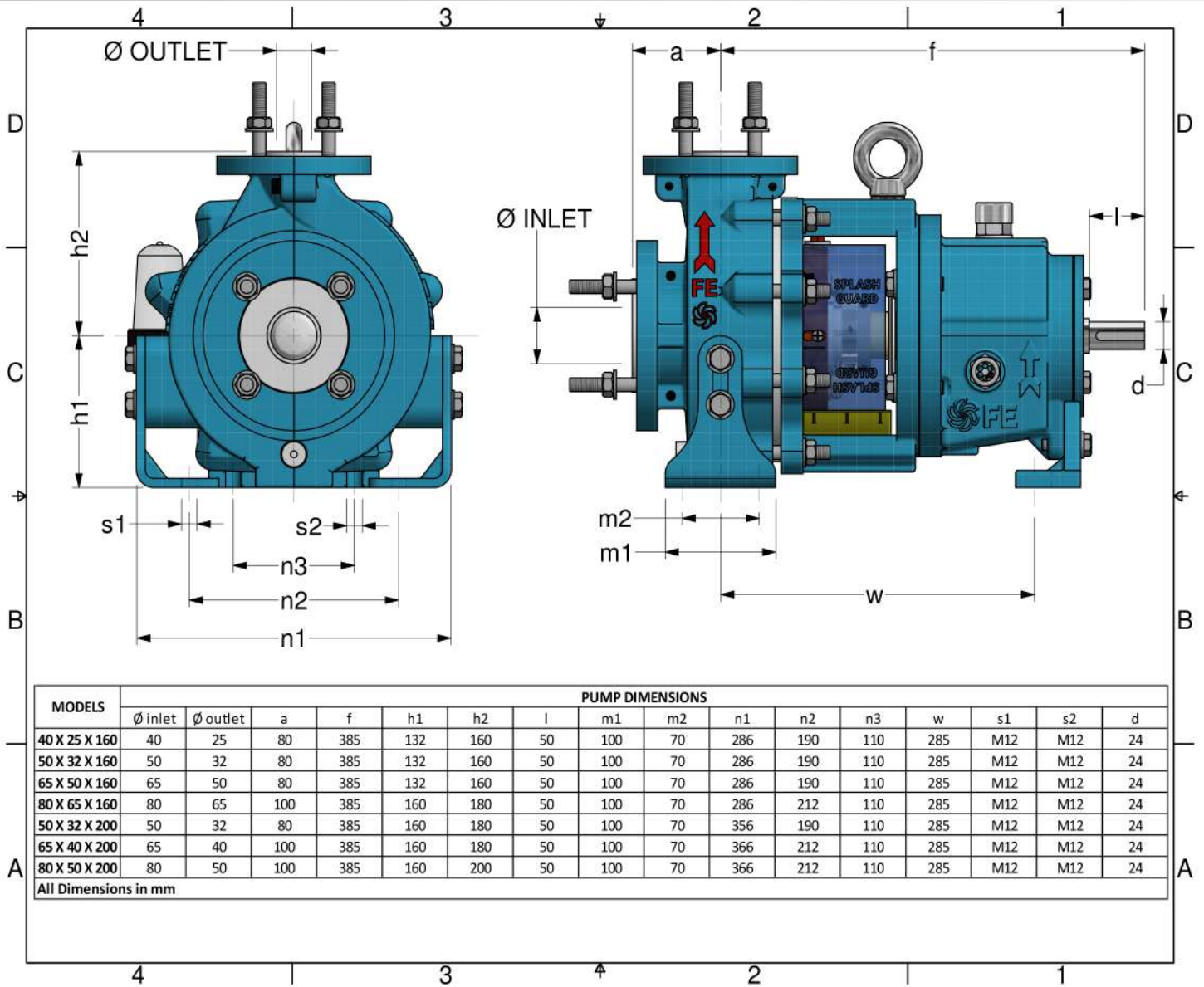
Salient Features

- ✓ Energy efficient complete ISO 2858 standard design - Better efficiencies at lower power
- ✓ Semi-open impeller with a well contoured vane design for the most abrasive and corrosive clear liquids and slurries.
- ✓ Rugged individual Bearing block - adaptor design for ease of maintenance and assembly.
- ✓ Low Shaft stiffness ration minimizing shaft deflection for improved seal and bearing life , thus longer Mean Time Between Failures
- ✓ Various mechanical seal options: Single Teflon Bellow, Double Seal, Special seal without external water cooling

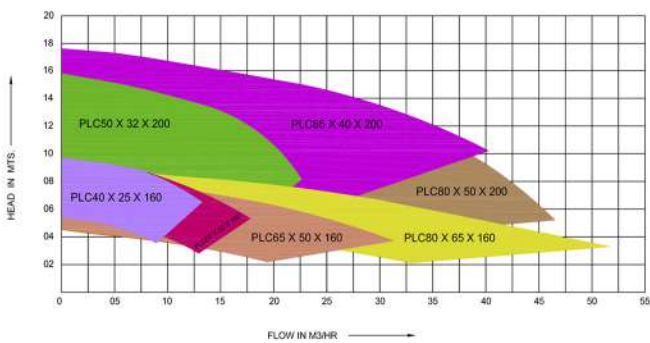
Applications

- ✓ Steel Pickling Plants, Mining , Fertilizers & Aluminium Industries
- ✓ Acid Regeneration Plants (ARP) & Pesticide and Insecticide plants
- ✓ Pharmaceuticals and Bulk Drugs
- ✓ Caustic Chlorine Plants
- ✓ Industrial Waste Water Treatment (ETP) & Scrubber recirculation

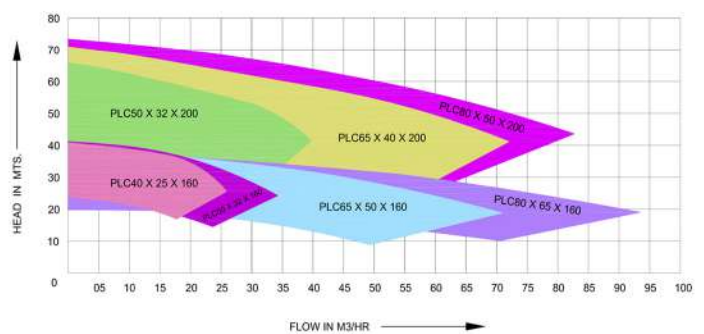
ISO Pump Dimensions



PLC PUMPS PERFORMANCE CHARACTERISTICS AT 1440 RPM



PLC PUMPS PERFORMANCE CHARACTERISTICS AT 2900 RPM



Fluorolined
Equipment Pvt.Ltd

TM

Works:

Fluorolined Equipment Pvt. Ltd.
Plot No.727 & 728, Phase II, G.I.D.C., Gundlav, Dist. Valsad,
Gujarat. INDIA
Phone: +91-2632-236701/329782 Telefax: +91-2632-236464
Email: factory@fluorolined.co.in

Office:

2nd Floor, 3- Hind Service Industrial Estate,
Shivaji Park, Mumbai - 400028. INDIA
Phone: +91-22-24460630, +91-22-24460631, +91-22-32403208
Fax: 022-24440397 Website: www.fluorolined.co.in
Email: office@fluorolined.co.in