



e-SV Series

STAINLESS STEEL VERTICAL MULTI-STAGE PUMPS

 **LOWARA**
a xylem brand

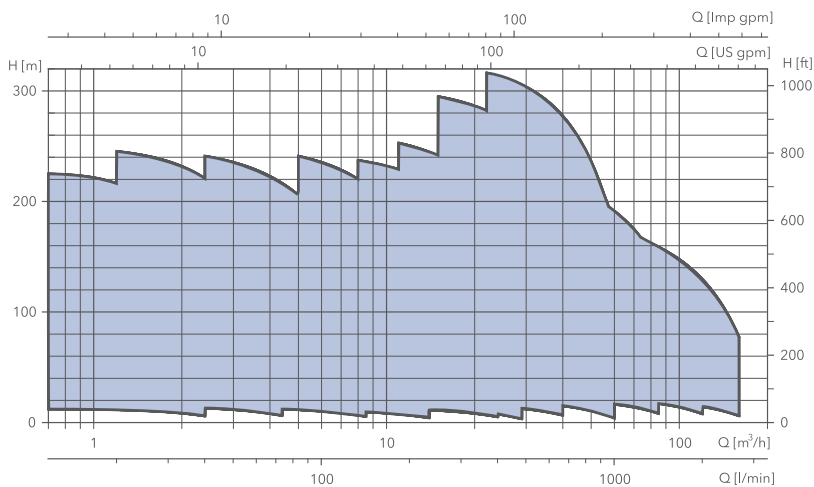
Hydraulic performance range

Easy to maintain

The e-SV's new design allows removal of the mechanical seal without having to remove the motor, reducing repair time by up to 50%. A standard DIN mechanical seal, wearing components, service tools and standard IEC motors enable faster and easier maintenance and servicing.

Energy saving

Pumps are among the largest users of industrial energy. Do your part to reduce CO₂ emissions and your impact on the environment - and improve your bottom line - by taking advantage of the new e-SV's lower energy requirement. Use a new e-SV pump along with a variable speed drive such as Xylem's Hydrovar®, and save even more energy and money.



Benefits

The e-SV range of pumps features 11 models, and can be specially configured for a wider range of applications. The line is interchangeable with Lowara's SSV series of vertical multi-stage pumps for added flexibility in meeting pumping requirements. Additionally, five e-SV manufacturing facilities around the world provide shorter lead times and faster service.

Applications

- Water supply and pressure boosting
- Water treatment
- Light industry
- Irrigation and farming
- Heating, ventilation and air-conditioning

Specifications

Delivery	up to 160 m ³ /h
Head	up to 330 m
Power supply	three-phase and single-phase 50Hz
Power	standard motors from 0.37 kW to 55 kW
Maximum operating pressure	PN25-40 for sizes 1-22SV; PN16, PN25, PN40 for sizes 33-125
Temperature of pumped liquid	-30 °C to +120 °C
Protection	IP55
Insulation class F	F

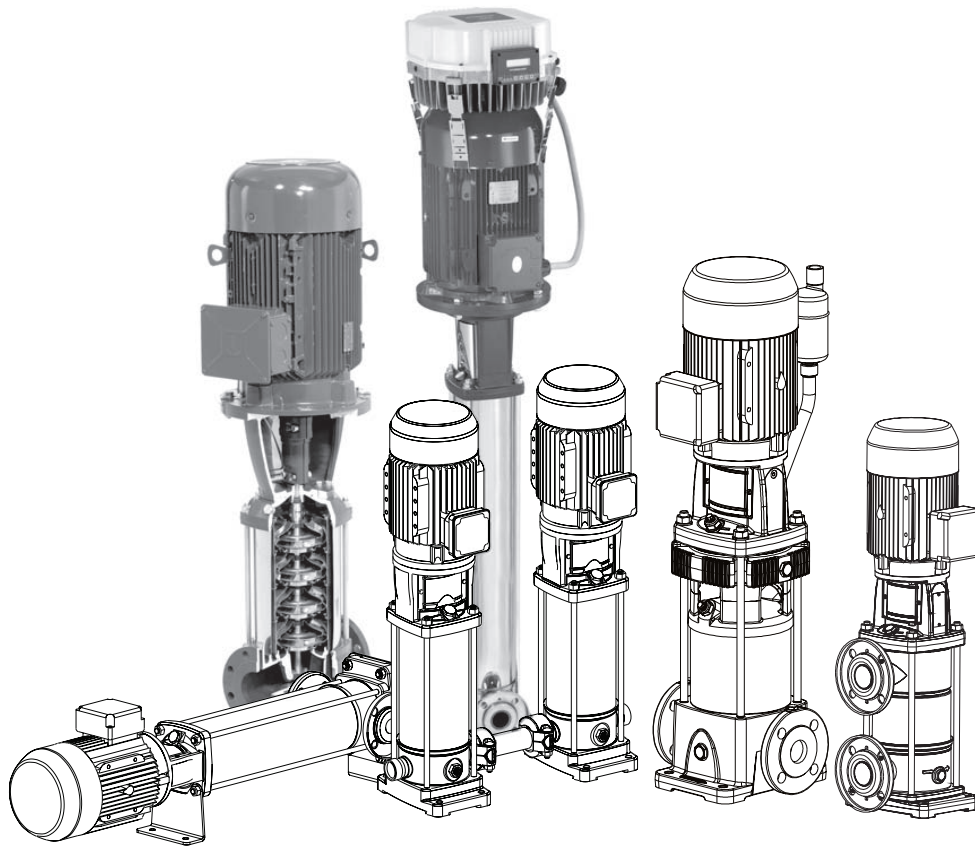


Stainless steel vertical multi-stage pumps

Why "e"-SV? "e" stands for the ultimate in energy efficiency, easy installation and economical operation - a new generation of vertical, multi-stage pumps that deliver outstanding performance and reliability.

Developed based on intensive research into user needs, the new e-SV pumps are designed to extend uptime and help reduce lifecycle costs in a wide variety of demanding applications.





Special Versions

- e-SV™ - High Pressure - 50 Hz
- e-SV™ - Low NPSH - 50 Hz
- e-SV™ - High Temperature - 150 °C & 180 °C
- e-SV™ - With Hydrovar® - SVH
- e-SV™ - 4-pole version - 50 Hz
- e-SV™ - Reducing footprint - 50 Hz
- e-SV™ - Horizontal version - 50 Hz

Options Index

- Motor's configuration and standard options
- Dry-running sensor
- i-Alert device
- Tests and certifications
- Accessories



Xylem Water Solutions India Pvt. Ltd.

India Head Office
Ground & First floor
Vishnu Shivam Mall
Thakur Village, Kandivali [East]
Mumbai- 400 101
Tel: +91 22 4037 0370
Fax: +91 22 4037 0371

Registered Office & Factory
Plot No.731, GIDC Savli
Manjusar, Savli Road
Vadodara - 391770
Tel: +91 2667 265800
Fax: +91 2667 265802

Delhi Office
H-20, Bali Nagar
New Delhi - 110015
Tel: +91 11 4555 2806
Fax: +91 11 2519 5007

Bengaluru Office
No. 7, Kumara Park East
Kumara Park East Extension
Bengaluru - 560001
Tel: +91 80 4281 6800
Fax: +91 80 4281 6801

www.xyleminc.com/www.xylemindia.in

Chennai Office
Ghatala Towers, 1st floor
19, Avenue Road
Nungambakkam
Chennai - 600034
Tel: +91 44 4043 5555
Fax: +91 44 4043 5550

Email: indiasales@xyleminc.com, indiaservice@xyleminc.com